



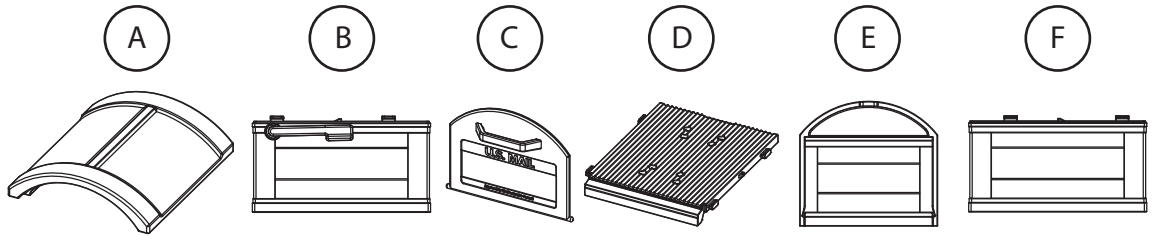
CONTACT YOUR LOCAL POST OFFICE BEFORE INSTALLING THE MAILBOX TO ENSURE ITS CORRECT PLACEMENT AND HEIGHT AT THE STREET. GENERALLY, MAILBOXES ARE INSTALLED AT A HEIGHT OF 41-45 INCHES FROM THE ROAD SURFACE TO INSIDE FLOOR OF THE MAILBOX OR POINT OF MAIL ENTRY (LOCKED DESIGNS) AND ARE SET BACK 6-8 INCHES FROM THE FRONT FACE OF CURB OR ROAD EDGE TO THE MAILBOX DOOR.

Video Instructions

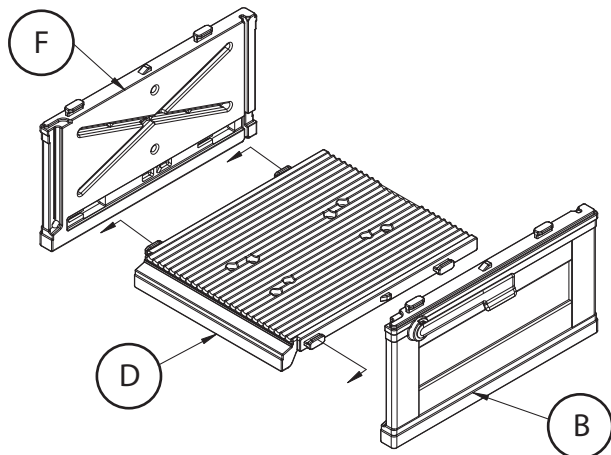
(scan QR code with phone camera)



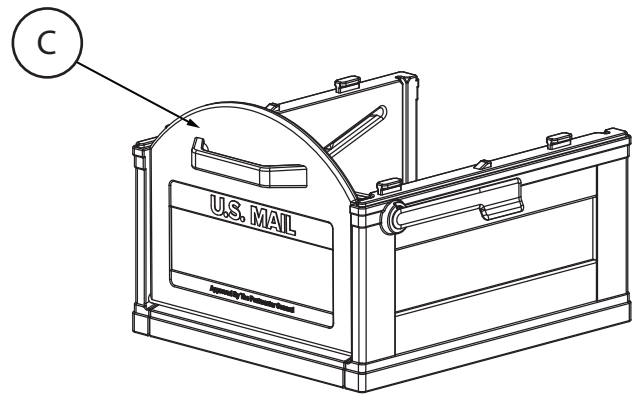
Parts (included)



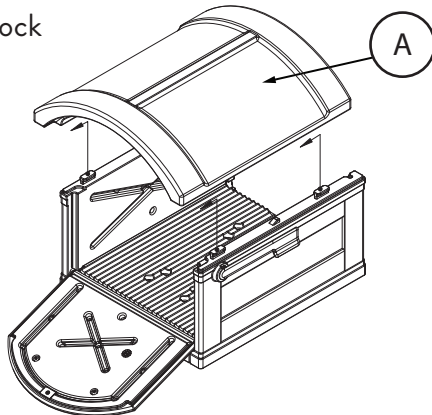
- 1** Place the right side and left side panels onto the floor panel where the locking tabs of the floor fit into the pockets of the side panels. Slide the panels to snap-lock into place.



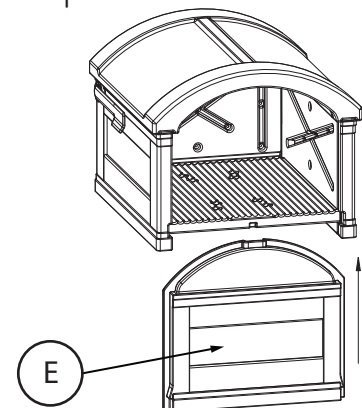
- 2** Insert the door by placing the hinge peg into the hinge hole of a side panel and rotating the second peg into the opposite side panel.



- 3** With the door open, place the roof onto the (2) side panels of the mailbox. Slide to snap-lock into place.



- 4** Slide the back panel into the back of the mailbox until fully snapped into place.



Questions, Comments, Concerns?

 www.architecturalmailboxes.com

 support@architecturalmailboxes.com

Find us on social media!



@archmailboxes