

# Magnetic Latch Replacement Instructions

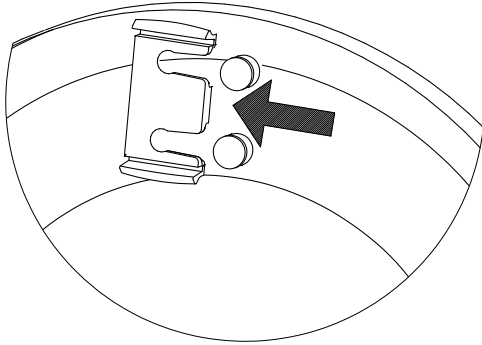
## MODELS 7600 & 7900

### Hardware (included)



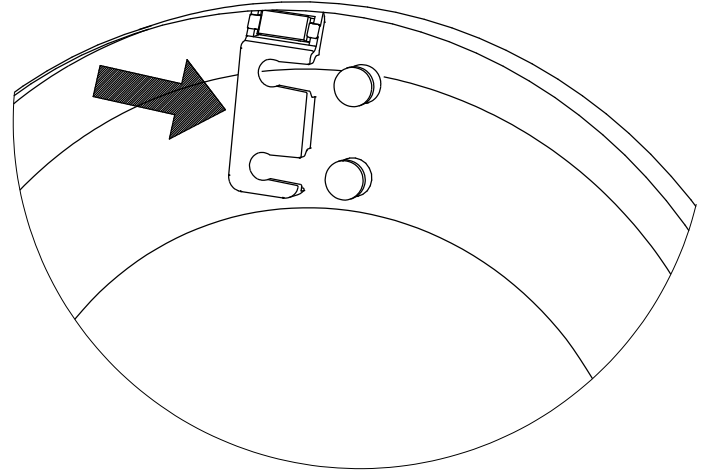
x1, magnetic latch

- 1 Remove existing latch by sliding it horizontally until it is removed from the handle pegs.



2

- Slide the new latch over the handle pegs in the orientation shown until clicked in place.



### Questions, Comments, Concerns?

 [www.architecturalmailboxes.com](http://www.architecturalmailboxes.com)

 [support@architecturalmailboxes.com](mailto:support@architecturalmailboxes.com)

### Need keys? Visit us at...

[www.architecturalmailboxes.com/keys](http://www.architecturalmailboxes.com/keys)

Rev. E © 2020, Architectural Mailboxes, LLC

### Find us on social media!



@archmailboxes